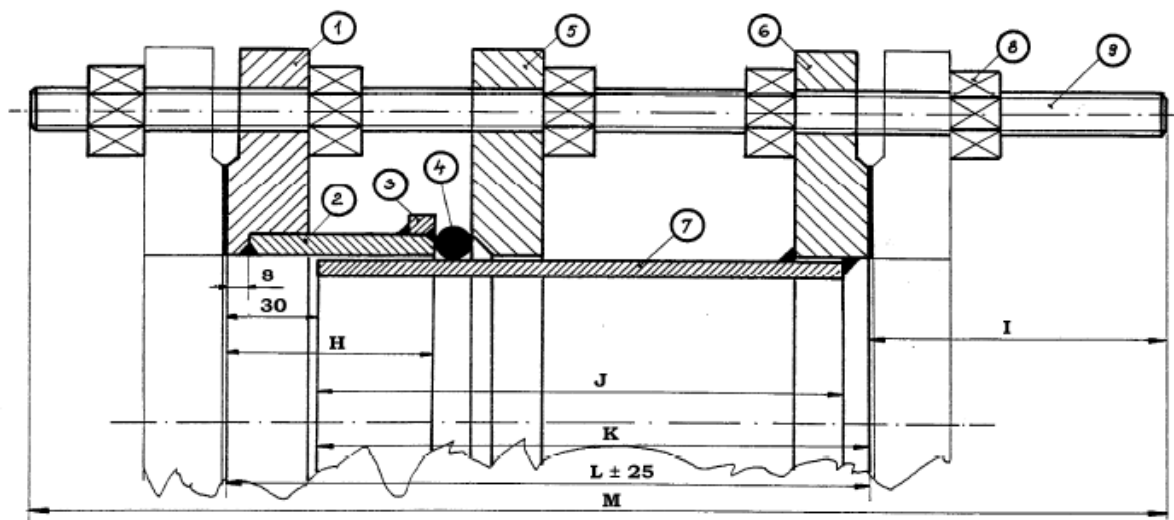


9311 – DISMANTLING JOINT PN10/PN16 DN50-1000





Application field:

Can be installed into pipelines carrying water, oil, petrol, gas and other mediums up to 100°C working temperature, and working pressure equal to nominal pressure. Available in PN10 and PN16. Material quality also available in different stainless steel versions (1.4301, 1.4541, 1.4404, 1.4571) for unique orders.

Material quality (standard):

Flange – RST 37.2

Pipe – ST37

Epoxy coating RAL5010

Bolts – galvanized steel or stainless steel

DN	H	J	K	L FTF length in medium stand	Adjustability + / - mm	I	Weight kg	M
50	80	146	150	180	25	62,5	10,3	280
65	80	146	150	180	25	62,5	13	280
80	97	166	170	200	25	65	16,2	305
100	97	165	170	200	25	65	18,4	305
125	95	164	170	200	25	67	23,5	309
150	87	163	170	200	25	72	31,2	319
200	105	181	190	220	25	74	41,8	343
250	99	181	190	220	25	76	56	347
300	95	180	190	220	25	76	63,4	347
350	99	190	200	230	25	78	86,4	361
400	100	205	215	245	25	84	111,3	388
500	105	220	230	260	25	92	144	419
600	106	235	245	275	25	100	187	450
700	110	250	260	290	25	100	233	480
800	110	268	280	310	25	110	320	505
1000	110	268	280	310	25	120	440	525