

## **A738 – BUTT WELDED CARBON STEEL BALL VALVE**



## Properties

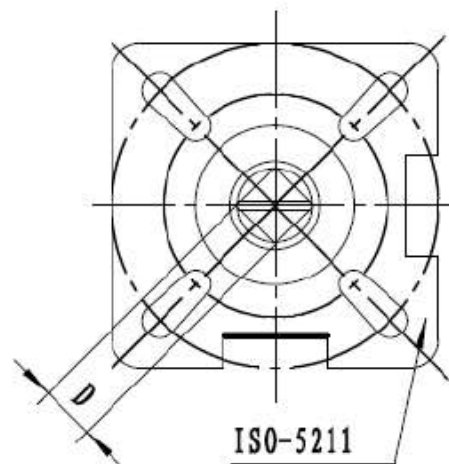
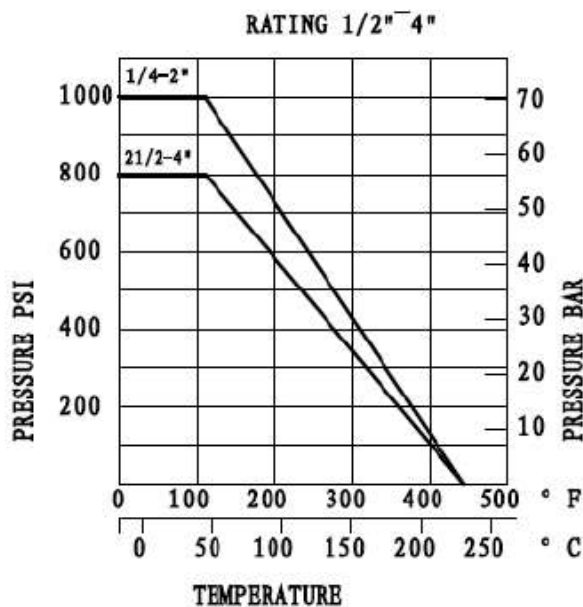
- 3pc execution
- With hand-lever
- Blow-out proof stem
- Face-to-Face S13
- With locking device
- Full bore
- With ISO 5211 mounting pad
- 1000WOG (PS: 63 bar)

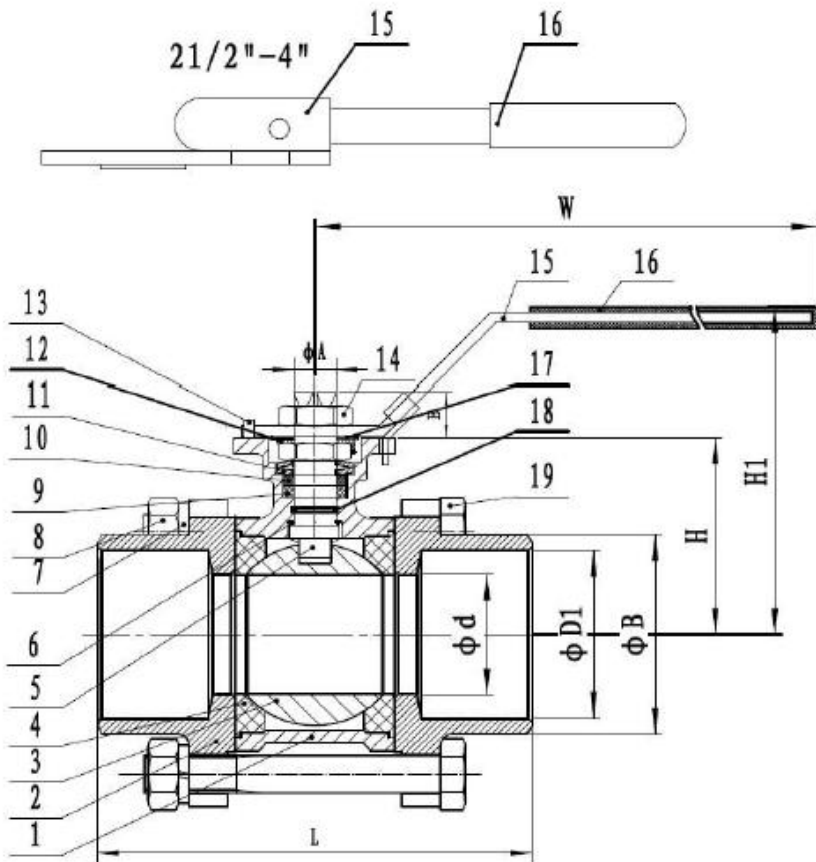


## Application

Chemical and pharmaceutical industries.  
All medium suitable to the materials of the product.

## Materials and size





19	BOLT	4(6)	304
18	O-RING	1	VITON
17	WASHER	1	304
16	HANDLE SLEEVE	1	PLASTIC
15	HANDLE	1	304
14	HANDLE NUT	2	304
13	STOP PIN	1	304
12	LOCK WASHER	1	304
11	BELLEVILLE WASHER	2	301
10	RING	1	304
9	STEM PACKING	1	PTFE
8	BOLT NUT	4(6)	304
7	SPRING WASHER	4(6)	304
6	THRUST WASHER	1	PTFE
5	STEM	1	304
4	SBAT	2	PTFE
3	BALL	1	304
2	CAP	2	WCB
1	BODY	1	WCB

	$\phi d \pm 0.5$	$L \pm 2$	$H \pm 1$	$D_{-0.07}^0$	$E \pm 1$	$A_{-0.3}^0$	ISO5211	W	H1	D1	B
1/4"	11.6	70	38.5	9	9	12	F04/03	143	70	10.8	18
3/8"	12.5	70	38.5	9	9	12	F04/03	143	70	13	18
1/2"	15	75	38.5	9	9	12	F04/03	143	70	16	23
3/4"	20	90	47.5	9	9	12	F04/03	143	79	21	28
1"	25	100	59	11	11	14	F05/04	163	95	26.6	35
1-1/4"	32	110	63.5	11	11	14	F05/04	163	95	35	43
1-1/2"	38	125	79	14	15	18	F07/05	188	116	40.5	50
2"	50	150	86.5	14	15	18	F07/05	188	124	52.5	61
2-1/2"	64	190	109.1	17	17	22	F10/07	350	141	65	75
3"	76	220	117	17	17	22	F10/07	350	149	78	91
4"	94	270	136	22	22	28	F12/10	350	173	100	115

## Installation and maintenance

### **Before installation:**

Pipe-line must be cleaned and free from any residuals of welding, shaving, and every kind of contaminations.

Pipe-line must be perfectly aligned and its support properly dimensioned, to avoid external constraint.

Please, use the right product according to the service conditions to seal the valve.

Use the right bolt tightening so the connections won't be damaged.

### **Cleaning and tests:**

Keep the valves open during the cleaning process, to ensure there are no impurities between the ball and the body.

Pressure tests must be done with a cleaned pipe-line.

Open the valves partially for the tests. Pressure test must not exceed the valve specifications according to EN 12266-1.

### **Maintenance:**

It's recommended to operate the valve twice (open and close) 1 or 2 times a year.

When you need to perform any intervention on the valve, make sure the pipe-line is not under pressure, there is no fluid in it and it's isolated.

The temperature must be low enough to operate without risks.

If there is a corrosive fluid, inert installation before intervention.

When the valve is under pressure and there's a leakage at the packing, tighten it slightly so that the leakage disappears.